

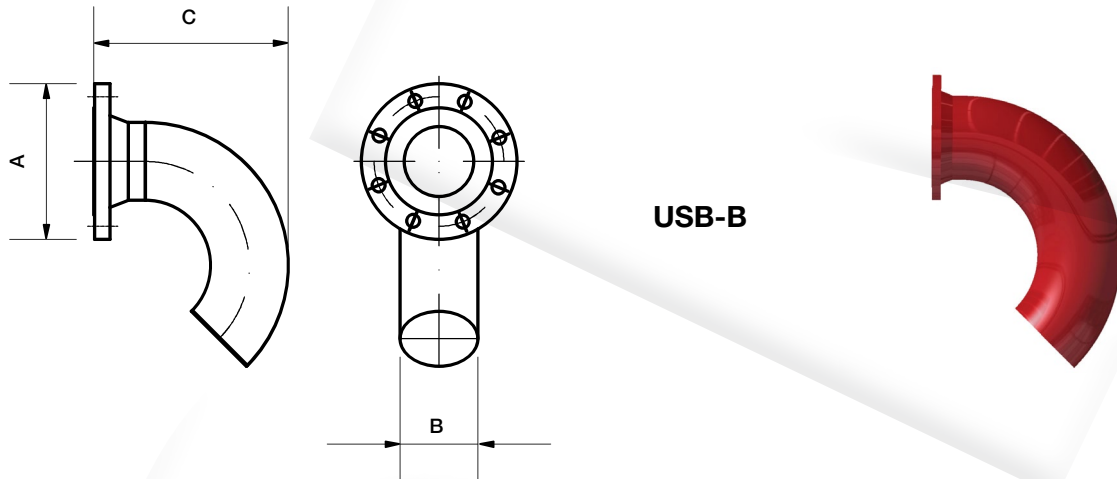
Foam pourers serve the purpose of delivering foam both inside a fixed roof and on top of a floating roof tank. They have a flanged connection fitting our standard line of foam chambers / lances, and an internal stainless steel grid to avoid birds entering the line.

For floating roof we also offer a special pourer with a double outlet which makes it easier to obtain a full coverage in the roof rim, and this within shorter times, shown at the page bottom.

Materials

B31 - AISI 316 L stainless steel

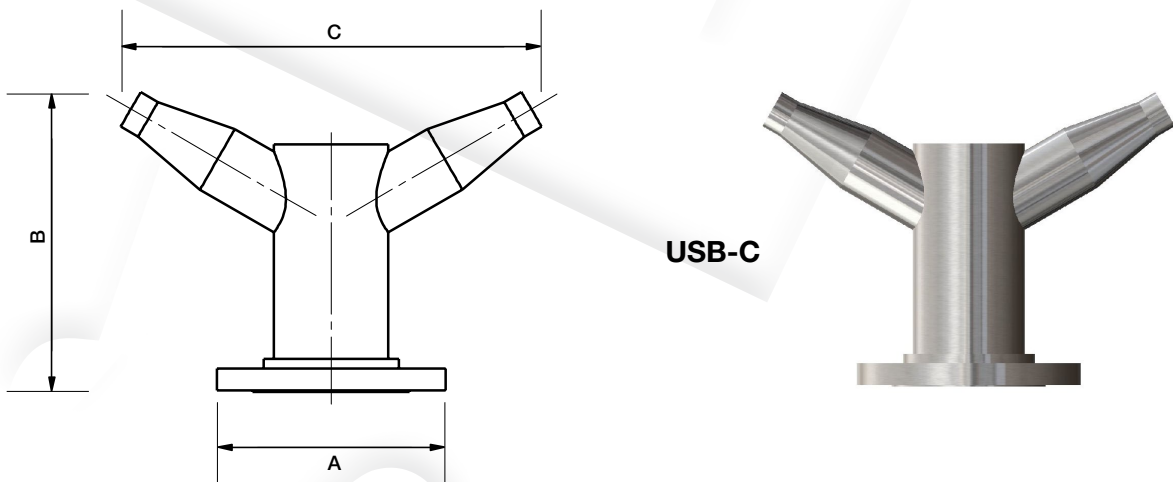
T1 - Brass



USB-B

Standard design

Code	A <i>inches</i>	B <i>inches</i>	C <i>mm</i>	W <i>kg</i>
USB B020 A1KE	3"	3"	230	7
USB B040 A1LE	4"	4"	287	14
USB B080 A1ME	6"	6"	402	26
USB B150 A1PE	8"	8"	518	54
USB B200 A1PE	10"	10"	620	77



USB-C

Bidirectional design

Code	A <i>inches</i>	B <i>mm</i>	C <i>mm</i>	W <i>kg</i>
USB C020 A1KE	4"	300	420	7
USB C040 A1LE	6"	300	485	14

Coding for options

ANSI 150 – A195 flanges

USB C020 A1KF (Replace last letter with F)